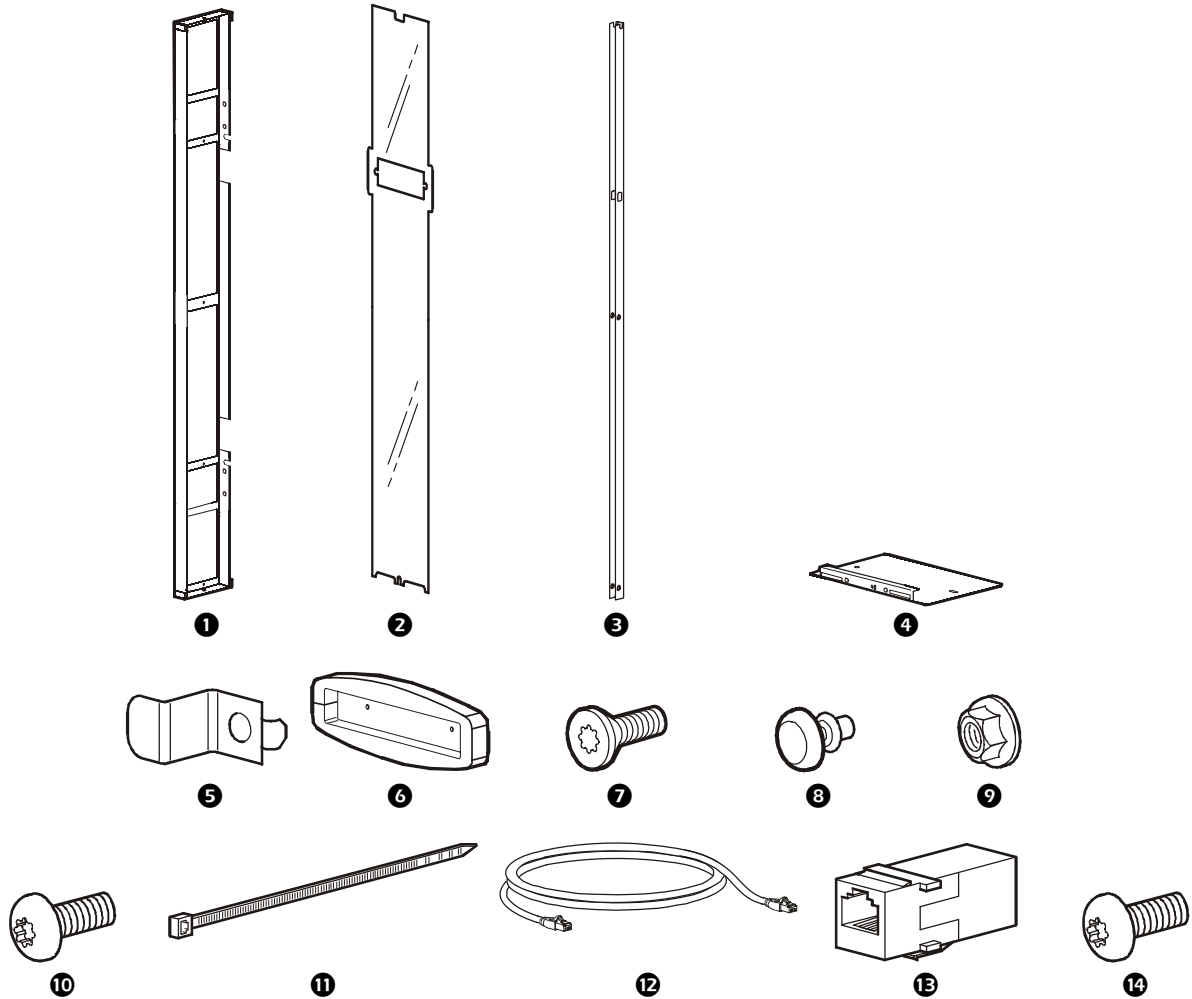
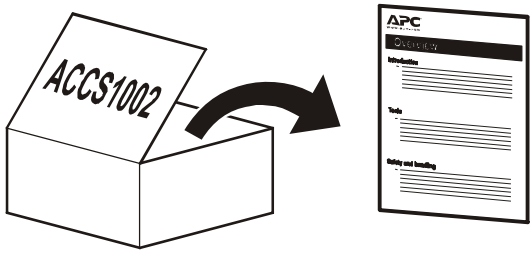


Rack Air Containment Front Assembly for InfraStruXure™ InRow RC/InRow SC (ACCS1003)—Installation

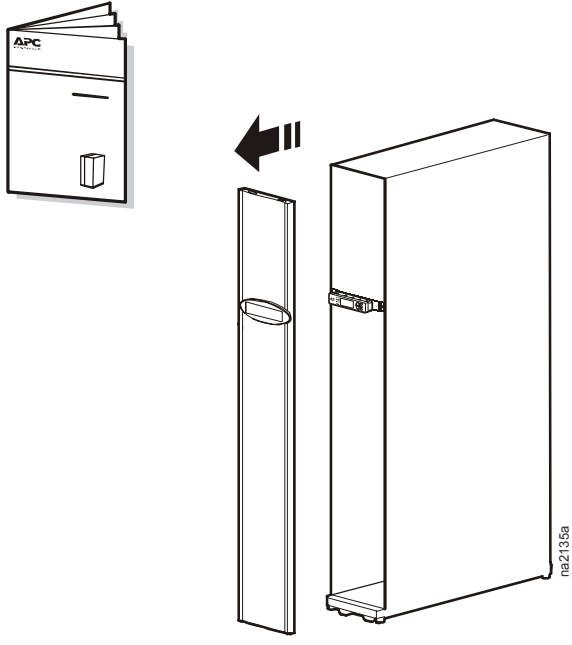


Item	Description	Quantity	Item	Description	Quantity
1	Side plenums	2	8	6-mm snap rivets	6
2	Front insert	1	9	M6 flanged hex nuts	4
3	Side retainer inserts	2	10	M6 × 12-mm pan-head screws	1
4	Top/bottom plenums	2	11	Wire tie	1
5	Catch door plenum	1	12	Display interface cable	1
6	Display air block	1	13	RJ-45 connector	1
7	M6 × 12-mm flat head screws	8	14	Display mounting hardware (included with unit)	2

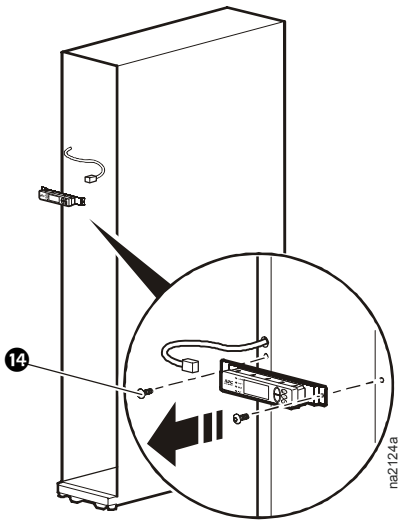
1



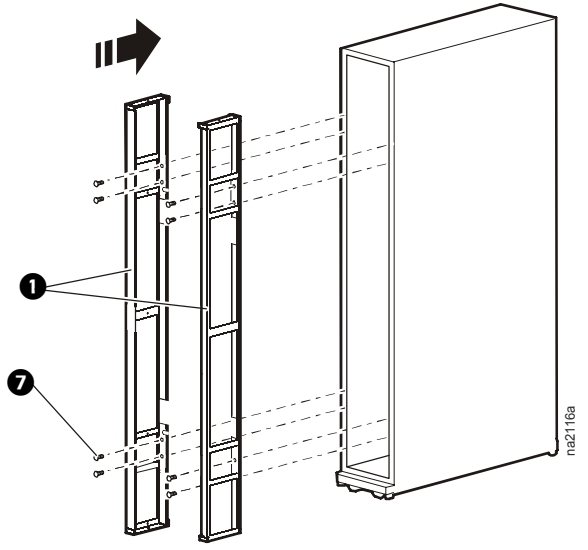
2



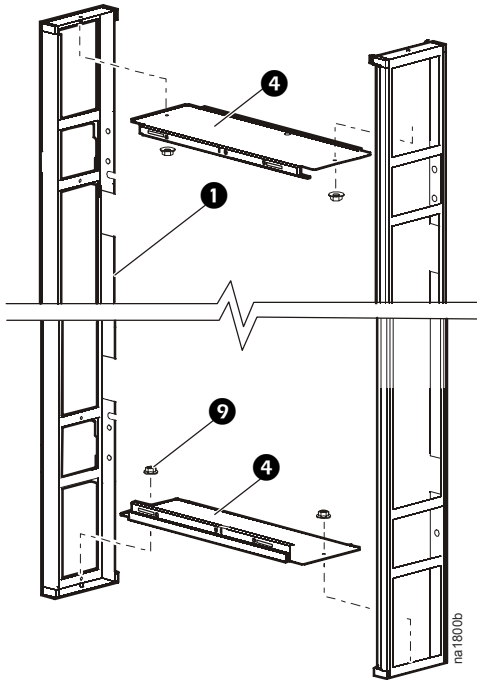
3



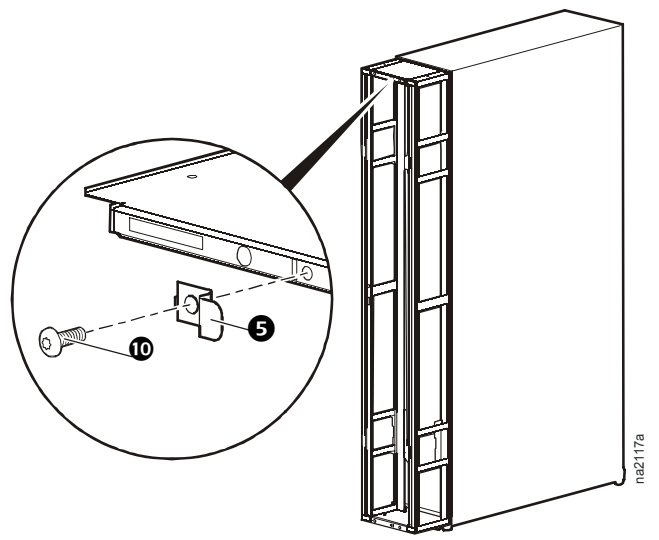
4



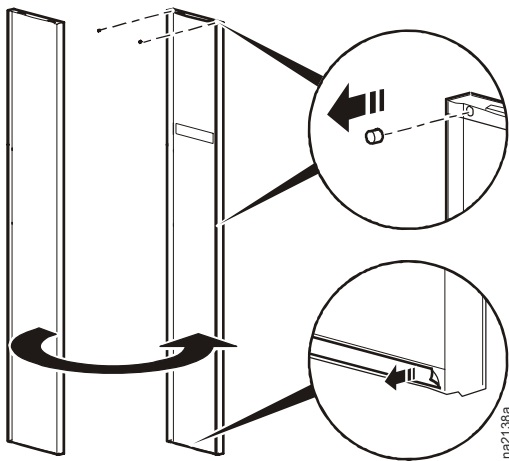
5



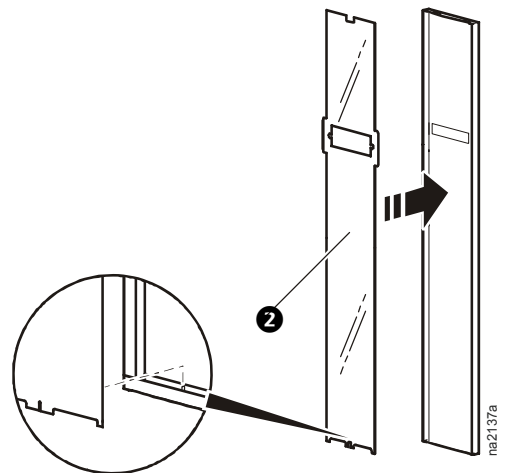
6



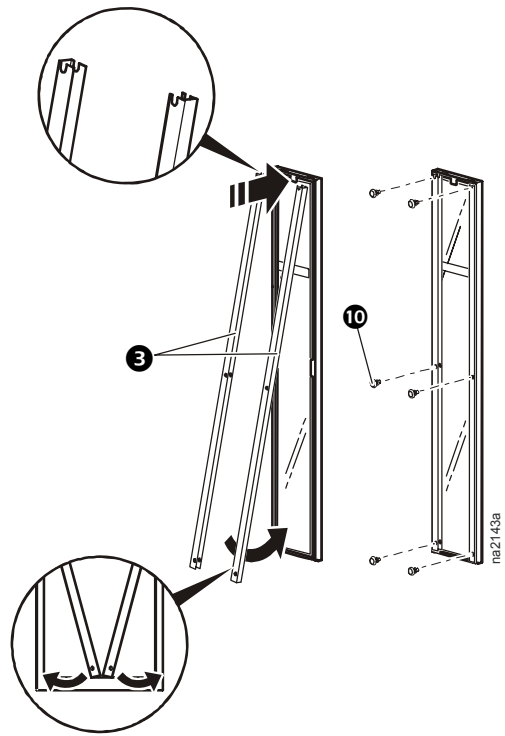
7



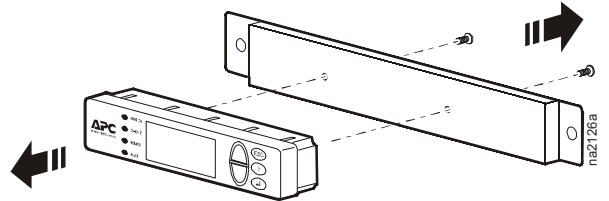
8



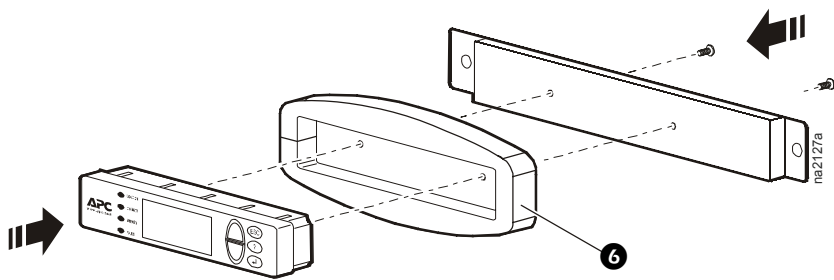
9



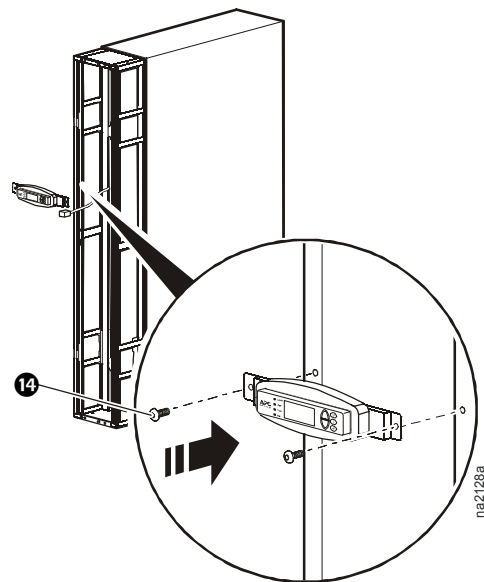
10



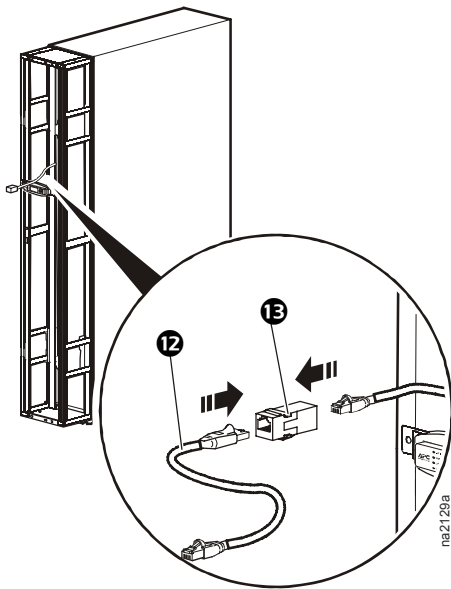
11



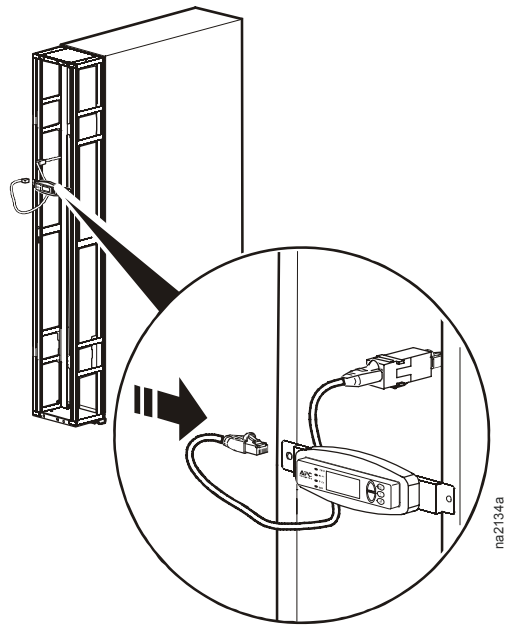
12



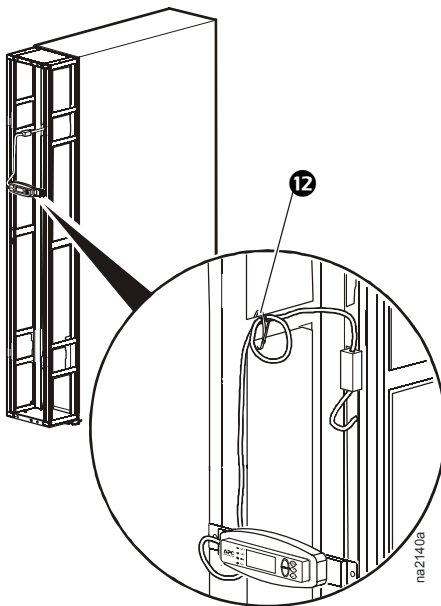
13



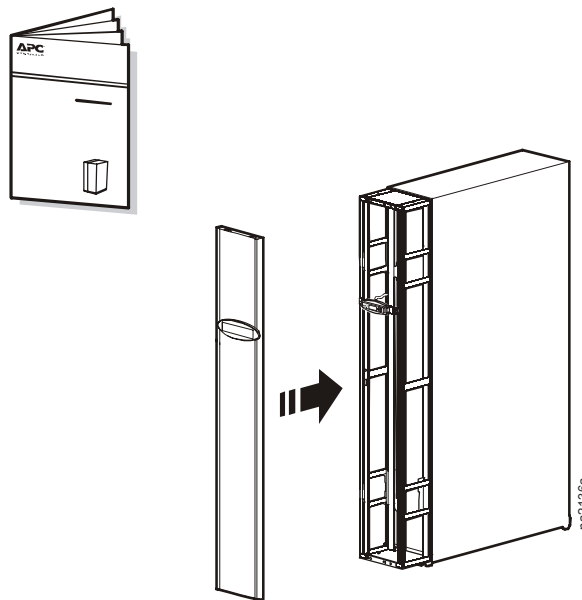
14



15



16



APC Worldwide Customer Support

Customer support for this or any other APC product is available at no charge in any of the following ways:

- Visit the APC Web site to access documents in the APC Knowledge Base and to submit customer support requests.
 - **www.apc.com** (Corporate Headquarters)
Connect to localized APC Web sites for specific countries, each of which provides customer support information.
 - **www.apc.com/support/**
Global support searching APC Knowledge Base and using e-support.
- Contact an APC Customer Support center by telephone or e-mail.
 - Regional centers:

Direct InfraStruXure Customer Support Line	(1)(877)537-0607 (toll free)
APC headquarters U.S., Canada	(1)(800)800-4272 (toll free)
Latin America	(1)(401)789-5735 (USA)
Europe, Middle East, Africa	(353)(91)702000 (Ireland)
Japan	(0) 3 5434-2021
Australia, New Zealand, South Pacific area	(61) (2) 9955 9366 (Australia)

- Local, country-specific centers: go to **www.apc.com/support/contact** for contact information.

Contact the APC representative or other distributor from whom you purchased your APC product for information on how to obtain local customer support.

Entire contents copyright 2006 American Power Conversion Corporation. All rights reserved.

Reproduction in whole or in part without permission is prohibited. APC, the APC logo, and InfraStruXure are trademarks of American Power Conversion Corporation. All other trademarks, product names, and corporate names are the property of their respective owners and are used for informational purposes only.



990-2861A

Patent pending



05/2006