



## DATA SHEET

### C2G Performance Series Premium High Speed HDMI® Cable - 4K 60Hz In-Wall, CMG (FT4) Rated

Premium High Speed HDMI Cables that have been tested for highest performance and ultra-reliability

#### OVERVIEW

The C2G Performance Series Premium High Speed HDMI Cable supports all HDMI 2.0 features and has been tested to conform with the Premium HDMI Cable Certification Program for highest performance and ultra-reliability. This cable is ideal for HD Blu-ray and HD DVD video, experiencing resolutions up to 4k (4096 x 2160) at 60Hz, bandwidths up to 18Gbps, HDR for higher contrast ratios and vivid colors, plus 32 uncompressed digital audio channels to provide crystal-clear sound – perfect for home theater applications or digital signage.

This Premium High Speed HDMI Cable was designed to exceed the highest measure of HDMI performance and will enhance video experiences with higher resolutions, increased speeds, and sharper images. They include integrated finger grips on the top, bottom, and sides, for easy insertion and removal, and the gripping connector shell has 2x greater port retention to keep your devices connected. The gold plated connectors on the cable allow for better shielding, increased electrical conductivity, and durability.

This Premium High Speed HDMI Cable has been tested to deliver the full 18Gbps bandwidth required by the specifications for Premium High Speed HDMI certification. The cable also supports the updated library of Consumer Electronic Control (CEC) commands, allowing communication between devices connected through the HDMI ports. Lastly, this fully-functional, high bandwidth cable is backed by a lifetime warranty.

#### FEATURES

- Tested to conform with the Premium HDMI Cable Certification Program for highest performance and ultra-reliability
- Supports all HDMI 2.0 features including resolutions up to 4K (4096 x 2160) at 60hz 4:4:4, which means higher quality video for viewing your screen content
- In-wall (CMG/FT4) rated jacket, so you can safely run the cable inside of a wall and have a clutter free, clean look
- Integrated finger grips on the connectors for easy insertion and removal
- Gripping connector shell for 2x greater port retention
- Gold plated connectors for increased electrical conductivity and enhanced durability
- Supports CEC extensions for control of consumer electronics devices through a single control point
- Backed by a Lifetime Warranty for peace of mind

#### ITEM DESCRIPTION

80981	.9m (3ft) C2G Performance Series Premium High Speed HDMI Cable - 4K 60Hz In-Wall, CMG (FT4) Rated
80982	1.8m (6ft) C2G Performance Series Premium High Speed HDMI Cable - 4K 60Hz In-Wall, CMG (FT4) Rated
80984	3m (10ft) C2G Performance Series Premium High Speed HDMI Cable - 4K 60Hz In-Wall, CMG (FT4) Rated
80986	4.5m (15ft) C2G Performance Series Premium High Speed HDMI Cable - 4K 60Hz In-Wall, CMG (FT4) Rated
80988	6.1m (20ft) C2G Performance Series Premium High Speed HDMI Cable - 4K 60Hz In-Wall, CMG (FT4) Rated

## SIGNAL SPECIFICATIONS

- Supports HDMI Resolutions up to 4K 60Hz, 4:4:4, 18 Gbps
- Supports Full HD Blu-ray Disc and HD DVD Video
- Supports 3D Video and dual video streams (Dual View)
- Supports 8, 10, 12, and 16bit per channel Deep Color
- Supports up to 32 audio channels and a 1536kHz audio sampling rate
- DTS-HD Master Audio™, Dolby TrueHD™, DTS, Dolby AC3 and DSD Audio
- Extended CEC (Consumer Electronics Control) commands and functions, HDMI Ethernet Channel (100Mbps/s), and ARC (Audio Return Channel)

## ELECTRICAL SPECIFICATIONS

- Supply Voltage: 30V
- Temp: Connector: Temp Rating: 220°C
- Cable: Temp Rating: 75°C
- Conductor Resistance: 5[OHM]
- Insulation Resistance: 10M[OHM]
- Withstand Voltage: AC 300V, DC 300V
- Differential Data Input Voltage: 4.8V to 5.3V
- Differential Data Output Voltage: 4.7V to 5.3V

## PHYSICAL SPECIFICATIONS

- Operating Temperature: -20°C to +75°C; 85% RH (Non-Condensing)
- Storage Temperature: -10°C to +55°C; 85% RH (Non-Condensing)
- Tensile Strength: 100N
- Cable Jacket Ratings: CMG, FT4
- Connector Gripping Force: HDMI Withdrawl Force: 28.03 to 30.18N (9.8N/1.0kgf Min; 39.2N/4.0kgf Max)
- Connector Gripping Force: HDMI Insertion Force: 20.97 to 23.13N (4.41N/4.5kgf Max)

## PHYSICAL CHARACTERISTICS

- Material: Housing: PVC Molding
- SR-Mold: PVC, Color: Black
- Jacket Color: Black
- Connector: HDMI Type A Male Connector, Metal Shell Gold Plated, Electrical Contact Copper; Alloy Gold Plated 5u; Insulator Color: Blue
- Product is CE Marked and Conforms to 2011/65/EU ROHS 2

### Parts 80982-84

- Minimum Bend Radius: 70±10mm
- Jacket OD: 6.00±0.20mm; Jacket Material: PVC (CL2, FT4); Jacket Thickness: 0.75mm (REF)
- Shield Drain: 1/0.254T (30AWG); AL/Mylar: AL Face Inside, Mylar
- Cable UL/CUL/CSA Rating: Print: Premium High Speed HDMI Cable With Ethernet E468040 (UL) CL2 75°C 30AWG E468039(UL) CMG c(UL) 75°C FT4 30AWG

### Part 80986

- Minimum Bend Radius: 75±10mm
- Jacket OD: 6.5±0.20mm; Jacket Material: PVC (CL3, FT4); Jacket Thickness: 0.65mm
- Shield Drain: 1/0.32T (28AWG); AL/Mylar: AL Face Inside, Mylar
- Cable UL/CUL/CSA Rating: Print: Premium High Speed HDMI Cable With Ethernet E468040 (UL) CL3 75°C 28AWG E468039(UL) CMG c(UL) 75°C FT4 28AWG

### Part 80988

- Minimum Bend Radius: 90±10mm
- Jacket OD: 9.5±0.25mm; Jacket Material: PVC (CL3, FT4); Jacket Thickness: 0.85mm (REF)
- Shield Drain: 7/0.16T (26AWG); AL/Mylar: AL Face Inside, Hot Melt Mylar
- Cable UL/CUL/CSA Rating: Print: Premium High Speed HDMI Cable With Ethernet E468040 (UL) CL3 75°C 24AWG E468039(UL) CMG c(UL) 75°C FT4 24AWG



LEGRAND | AV COMMERCIAL BRANDS

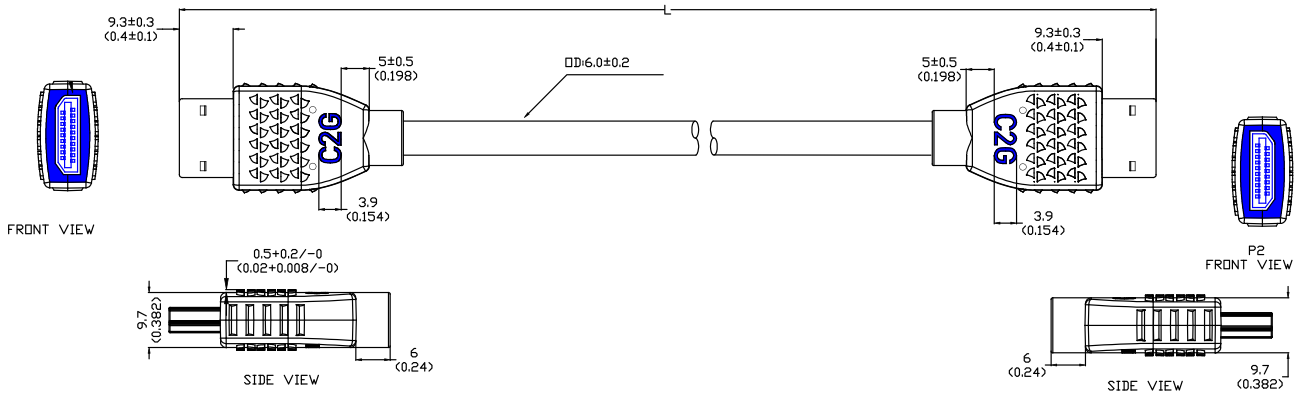
C2G | Chief | Da-Lite | Luxul | Middle Atlantic | Vaddio | Wiremold

SIMPLIFIED CONNECTIVITY | [c2g.com/uk](http://c2g.com/uk) | [legrandav.com](http://legrandav.com)

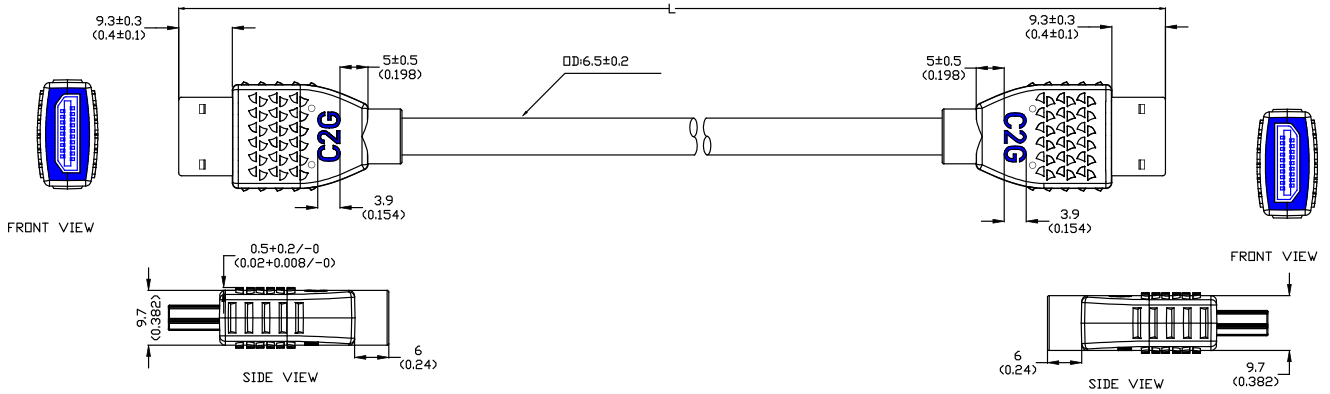
EMEA +31 495 580 840 | [c2g.emea@av.legrand.com](mailto:c2g.emea@av.legrand.com)

©2021 Legrand AV Inc. 000000 Rev 0 8/20 C2G is a registered trademark of Legrand AV Inc. All other brand names or marks are used for identification purposes and are trademarks of their respective owners. All patents are protected under existing designations. Other patents pending.

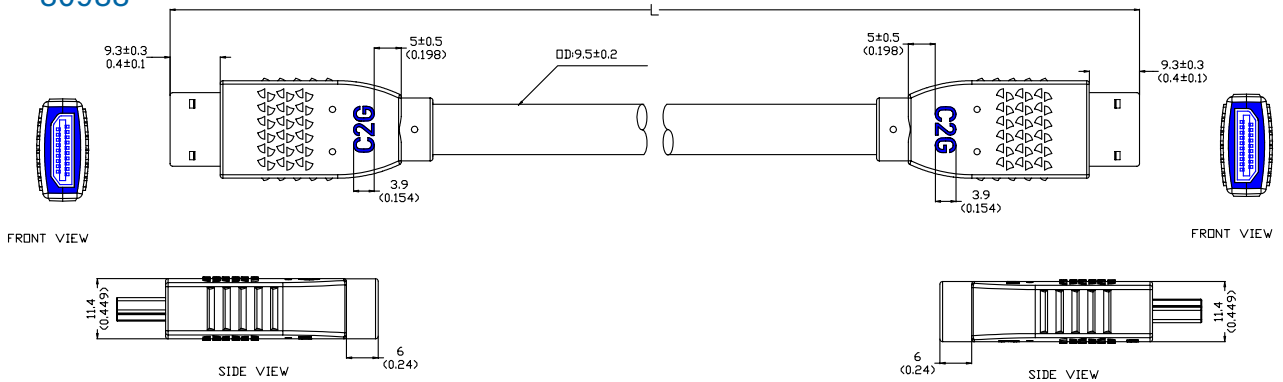
## 80982-84



## 80986



## 80988



LEGRAND | AV COMMERCIAL BRANDS

C2G | Chief | Da-Lite | Luxul | Middle Atlantic | Vaddio | Wireltd

SIMPLIFIED CONNECTIVITY | [c2g.com/uk](http://c2g.com/uk) | [legrandav.com](http://legrandav.com)

EMEA +31 495 580 840 | [c2g.emea@av.legrand.com](mailto:c2g.emea@av.legrand.com)

©2021 Legrand AV Inc. 000000 Rev 0 8/20 C2G is a registered trademark of Legrand AV Inc. All other brand names or marks are used for identification purposes and are trademarks of their respective owners. All patents are protected under existing designations. Other patents pending.